

ORIGINAL*Ni*

- **Rugged design for harsh environments**
- **Floodlight with AC 230 V LED driver**
- **Low maintenance**
- **Low power consumption**
- **High visibility with minimum light pollution**

The ALS-110-NAC-KIT floodlight is a compact rugged LED floodlight with optics especially designed to deliver spot-free illumination with little to no light outside the designated area. The floodlight is made in marine grade cast aluminium and meets the requirements of IP67 ingress protection.

The power supply and LED driver are provided in a separate box, suitable for both indoor or outdoor installation. The LED current (intensity) is determined via pre-set.

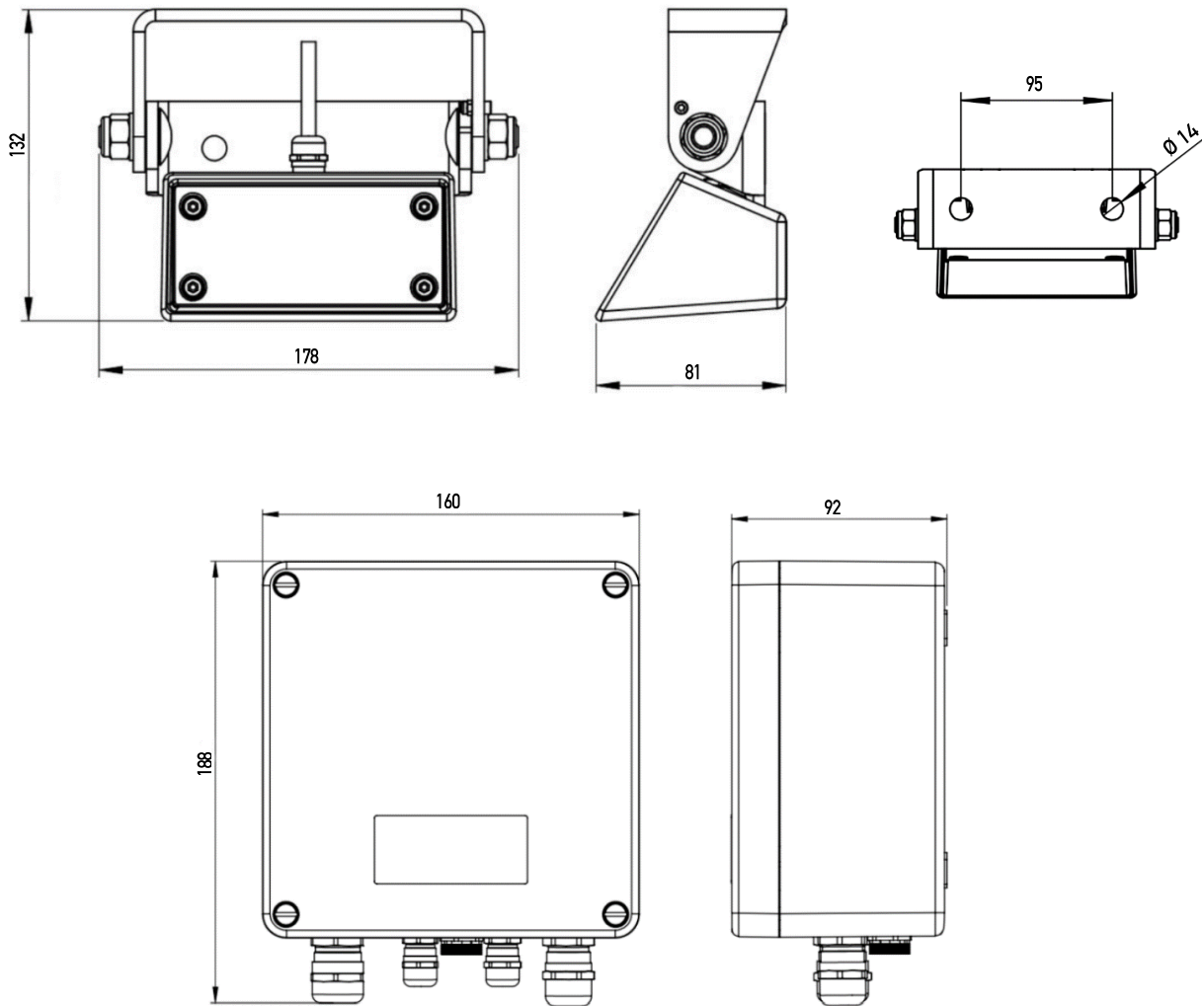
Available Versions

ALS-110-NAC-KITC-AC

ALS-110-NAC-KIT-AC

ALS-110-NAC-KIT-AC V236

Dimensions & Weight

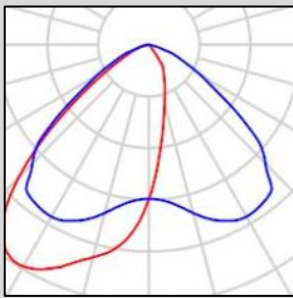
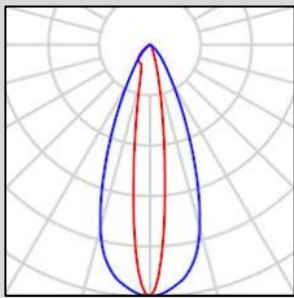
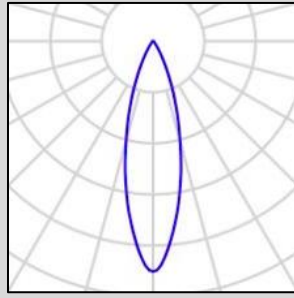


Component	Dimensions (Width x Depth x Height)	Weight
ALS-110-NAC (Floodlight)	178 mm x 81 mm x 132 mm	1.6 kg
NAC-DRIV-230V (Driver Box)	160 mm x 92 mm x 188 mm	1.7 kg

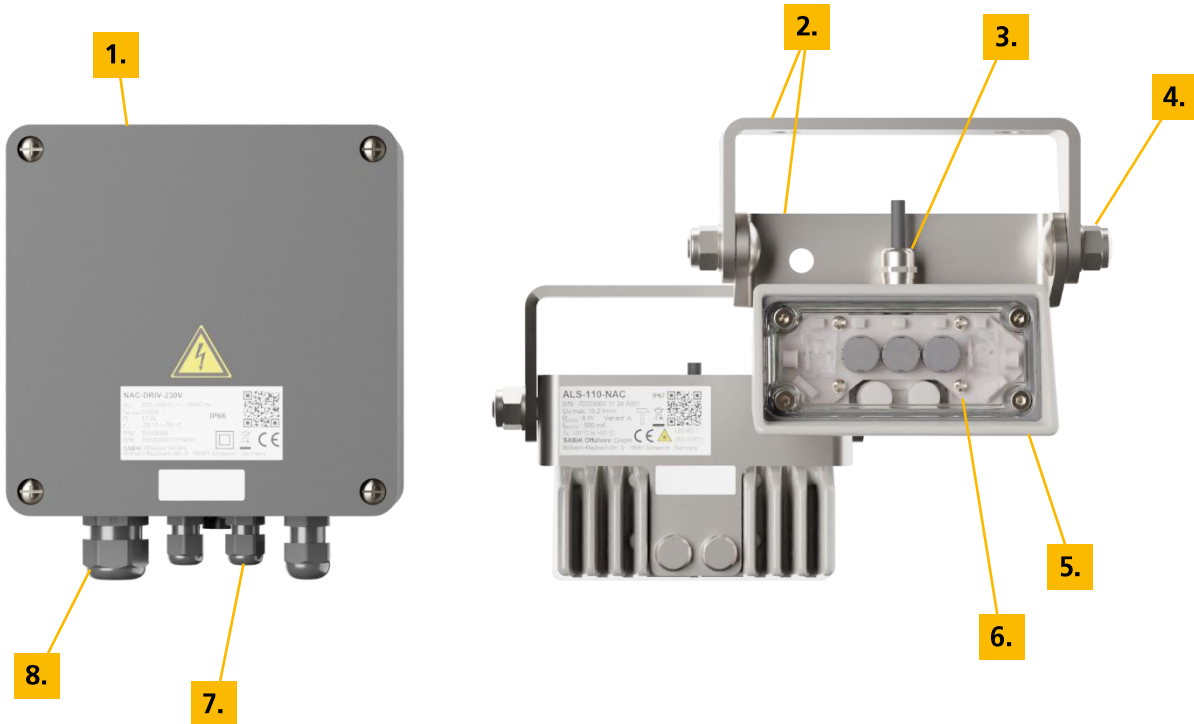
Material

Device head	Anodised and powder coated aluminium (AlSi12)
Lenses	PMMA
Luminaire cover	MAKROLON (PC)
Mounting components	Stainless steel 1.4404 (316L)
Connection socket (Driver housing)	PE MENZOLIT® 0190
EMC cable gland M12	Nickel-plated brass
Cable glands M12, M16, M20	PA 6
Earthing connection	Stainless steel 1.4404 (316L)
Seals	PU foamed
Pressure compensation valve for the connection box and LED insert	PTFE-membrane

Optical System

Product ID	ALS-110-NAC-KITC-AC	ALS-110-NAC-KIT-AC	ALS-110-NAC-KIT-AC V236
Lumen	700 lm	500 lm	700 lm
Color Temperature	4000 K	4000 K	4000 K
Power Consumption	7.5 W	7.5 W	7.5 W
Optical Profile			

Components



- 1.** NAC-DRIV-230V Driver Box
- 2.** Mounting Components
- 3.** EMC Cable Gland
- 4.** Locking Screw Connection for adjustable Angle of Inclination
- 5.** ALS-110-NAC Floodlight with Pressure Compensation Diaphragm
- 6.** Luminaire Cover
- 7.** Plastic Cable Gland Floodlight Connection
- 8.** Plastic Cable Gland Voltage Supply

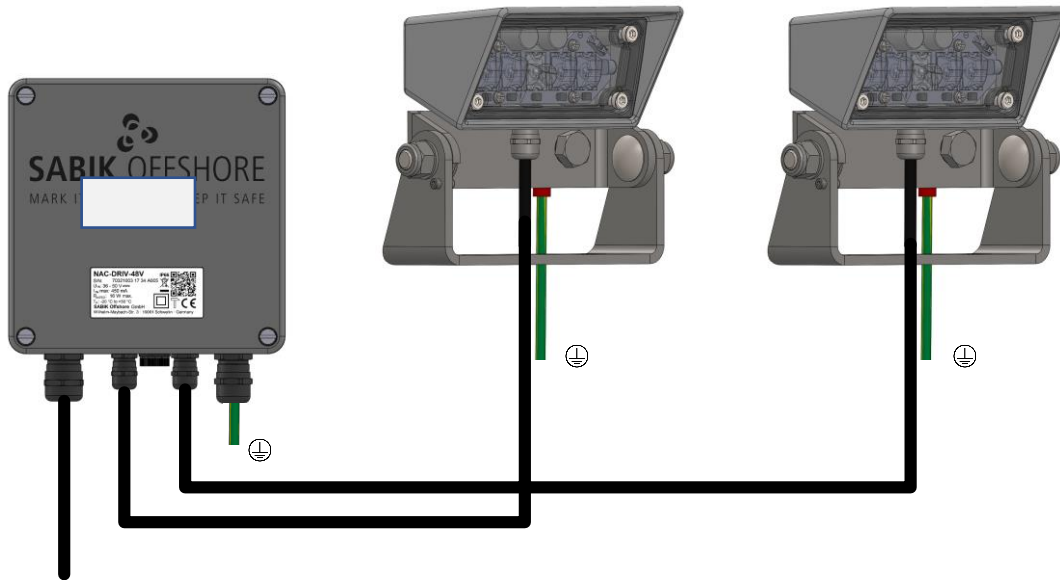
Note: All housing components including the cable glands satisfy the IP66 and IP67 degree of protection requirements according to IEC 60529. During connection and assembly, ensure that no moisture or dirt penetrates via any open socket.

	Size	For Cable Diameter	Key Width
EMC Cable Gland	M20 x 1.5	7.5 – 14.0 mm	24 mm

Electrical Connection

NAC-DRIV-230V	
Operating voltage	AC 230 V
Input voltage (permitted voltage range)	AC 220 – 240 V
Frequency range	50 – 60 Hz
Power factor	0.45
Inrush current (typical, cold start) at AC 230 V	15 A
Power rating	18 W (two Floodlights), 10 W (one Floodlight)
Input current rating, with connected ALS-110-NAC at AC 230 V	0.48 A
Output current rating	0.5 A
Output voltage rating	DC 16 V (each Floodlight)
Electrical connection, max.	2.5 mm
Cable gland (M20 x 1.5) cable diameter	7.5 – 14 mm

ALS-110-NAC	
Operating voltage	DC 15.2 V
Input current rating	500 mA
Power rating (per head)	7.5 W



Power connection

1	L	Power Supply Input (Positive)
2	N	Power Supply Input (Negative)
3	FE	Functional earth
4	FE	Shield (Optional)
5	FE	Grounding to structure

ALS-110-NAC, XST1

1	11+	LED Supply Output (Positive)
2	12-	LED Supply Output (Negative)
3	FE	Functional earth

ALS-110-NAC, XST2 (if needed)

1	21+	LED Supply Output (Positive)
2	22-	LED Supply Output (Negative)
3	FE	Functional earth

Environmental Conditions

ALS-110-NAC

Ambient temperature	-20 – 55 °C
Rel. Humidity (operation / storage / transport), max.	95 % r.h.
Degree of protection (acc. to IEC 60529)	IP67
Protection class	I

NAC-DRIV-230V

Ambient temperature	-20 – 55 °C
Rel. Humidity (operation / storage / transport), max.	95 % r.h.
Degree of protection (acc. to IEC 60529)	IP66
Protection class	II

Electrical Safety and Health

Overvoltage protection	Class II
Pollution degree	3

Reliability

MTBF (Electronics and LEDs) (acc. To SN 29500-1)	370 000 h
Minimum LED lifetime	60 000 h

Mechanical Requirements

Vibration testing sinusoidal vibrations	acc. to IEC 60945
---	-------------------

Compliance

EMC requirements		Applied standard
Safety	Lights	EN 60598-1 EN 60598-2-5 EN 62471
	Devices for lamps	EN 61347-1 EN 61347-2-13
Electromagnetic compatibility	Emitted interference	EN 61000-6-4
	Interference immunity	EN 61547 EN 61000-3-3 EN 61000-6-2

Ordering Information

Item Number	Product ID	Details
30251300	ALS-110-NAC-KITC-AC	Contains a Driver Box and a Floodlight with 1 m cable
30251100	ALS-110-NAC-KIT-AC	Contains a Driver Box and two Floodlights with 12 and 22 m cable
30251101	ALS-110-NAC-KIT-AC V236	Contains a Driver Box with 1.2 m cable and two Floodlights with 20 m cable